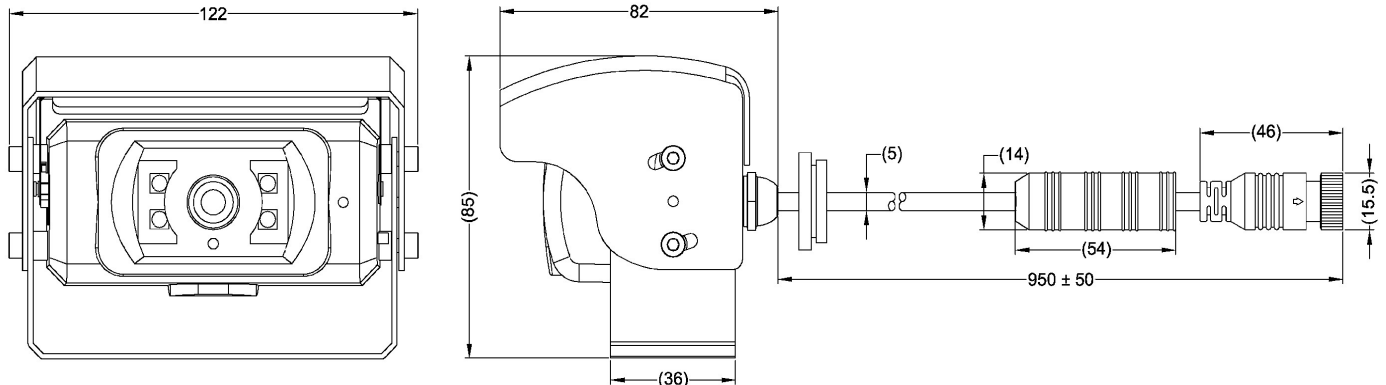


Product Specification



Brigade Model Number: VBV-710C / VBV-711C

Brigade Part Number: 2808B / 2841B



Dimensions: mm

Product Specification

Environmental Specifications:

- Shock Rating: 50G
- Vibration Rating: 10G
- Camera IP Rating: IP68 / IP69K
- Connector IP Rating: IP67
- Operating Temperature: -30° to +70°C
- Storage Temperature: -40° to +85°C

Approved Standards:

VBV-710C/VBV-711C:

- CE (EN 61000-6-3:2007 + A1:2011 + AC:2012, EN 61000-6-2:2005 + AC:2005)
- 'E' Mark (ECE Regulation 10 Rev 05)
- Ingress Protection (ISO 20653:2006)
- Elements of ISO 16750:2012
- RoHS2
- WEEE

VBV-711C:

- FCC (47 CFR Part 15 Subpart B)
- Industry Canada (ICES-003)

Technical Specifications:

- Operating Voltage: 12Vdc
- Current Consumption:
 - Typ. (IR off/Audio/Heater off) 110mA @ 12Vdc
 - Max. (IR on/Audio/Heater on) 500mA @ 12Vdc
 - Shutter Max. 80mA @ 12Vdc
- Power Consumption:
 - Typ. (IR off/Audio/Heater off) 1.5W @ 12Vdc
 - Max. (IR on/Audio/Heater on) 6W @ 12Vdc
 - Shutter Max. 1W @ 12Vdc
- Imaging Devices: CCD - 1/3" Sharp DSP - Seinmedia
- TV System / Picture Elements:
 - VBV-710C: PAL / 976 (H) x 582 (V)
 - VBV-711C: NTSC / 976 (H) x 494 (V)
- Lens Focal Length: 2.8mm

Technical Specifications Continued...

- Visual Resolution:
 - VBV-710C: 580 TV Lines
 - VBV-711C: 560 TV Lines
- Required Illumination: 0 Lux (IR LED ON)
- Illumination Distance: 8m x 5m
- Viewing Angle:
 - VBV-710C: 98°(H) x 73°(V) x 108°(D) +/- 5%
 - VBV-711C: 101°(H) x 70°(V) x 111°(D) +/- 5%
- Weight: 650 Grams
- Video Output: 1.0 Vp-p / 75Ω
- Length of Cable: 950 ± 50mm
- Overall Dimensions: 122mm (W) x 82mm (D) x 85mm (H)
- Casing Material: Aluminium Alloy
- View: Mirror / Normal
- Finish: Black Powder Coating

Features:

- Shutter, electro-mechanical driven
- Integrated Heater
- Night vision via 4 x High Power Infrared LEDs (enabled by integrated Day/Night sensor)
- Integrated Microphone
- High Quality Sharp CCD & Seinmedia DSP
- Back Light Compensation
- Automatic White Balance
- Fixed IRIS
- 5 pin VBV Type Female Connector

Package Contents:

- 1 x VBV-71XC-C - Camera
- 1 x VBV-71XC-BKT - Bracket
- 1 x VBV-71XC-SS - Sunshield
- 1 x VBV-71XC-FIX - Fixing Pack
- 1 x VBV-71XC-IG - Installation Guide

Brigade House The Mills Station Road South Darenth Kent DA4 9BD

Technical +44 (0) 1322 420347 marketing@brigade-electronics.com www.brigade-electronics.com

Specifications Subject To Change Without Notice

PS(VARIOUS)00 - VBV-71XC